



**Micros-Fidelio Interface**  
**XHLSI-FIAS Guide**

XHLSI-FIAS Version 1.02

September 24, 2012

Xeeder Technology Co., Ltd

## History

Date	Version number	Change description
Sep 24, 2012	Version 1.02	First draft

## Contents

1. Summarize .....	4
2. Running Environment .....	4
3. Installation Instructions.....	4
3.1 Install Maps.....	4
3.2 Communication.....	5
3.3 Installation.....	6
3.4 Configuration .....	6
3.4.1 XHLSI configuration .....	6
3.4.2 Fidelio PMS configuration.....	11
4. Functional Instructions.....	12
4.1 Establishing connection between XHLSI Client and XHLSI Server.....	12
4.2 Establishing connection between XHLSI Server and Fidelio PMS .....	14
4.3 Guest Check-in, Check-out, Read/Modify Guest Card.....	14
5. Appendix .....	15
5.1 SQL Server login information.....	15

# 1. Summarize

XHLSI-FIAS software is developing for Fidelio PMS specifically, hotel can use this interface to issue card in Fidelio PMS, and this interface don't suit other hotel management system.

XHLSI-FIAS consists of two parts, **XHLSI server** and **XHLSI client**. The XHLSI server is only installed at one computer as the service of XHLSI client, XHLSI client is installed at each station for issuing cards. Each station should be installed an encoder. The quantity of XHLSI client is not limited. Different stations can share a same XHLSI client to issue card.

## 2. Running Environment

Windows 98, Windows NT 4.0, Windows 2000, Windows XP, Windows 7

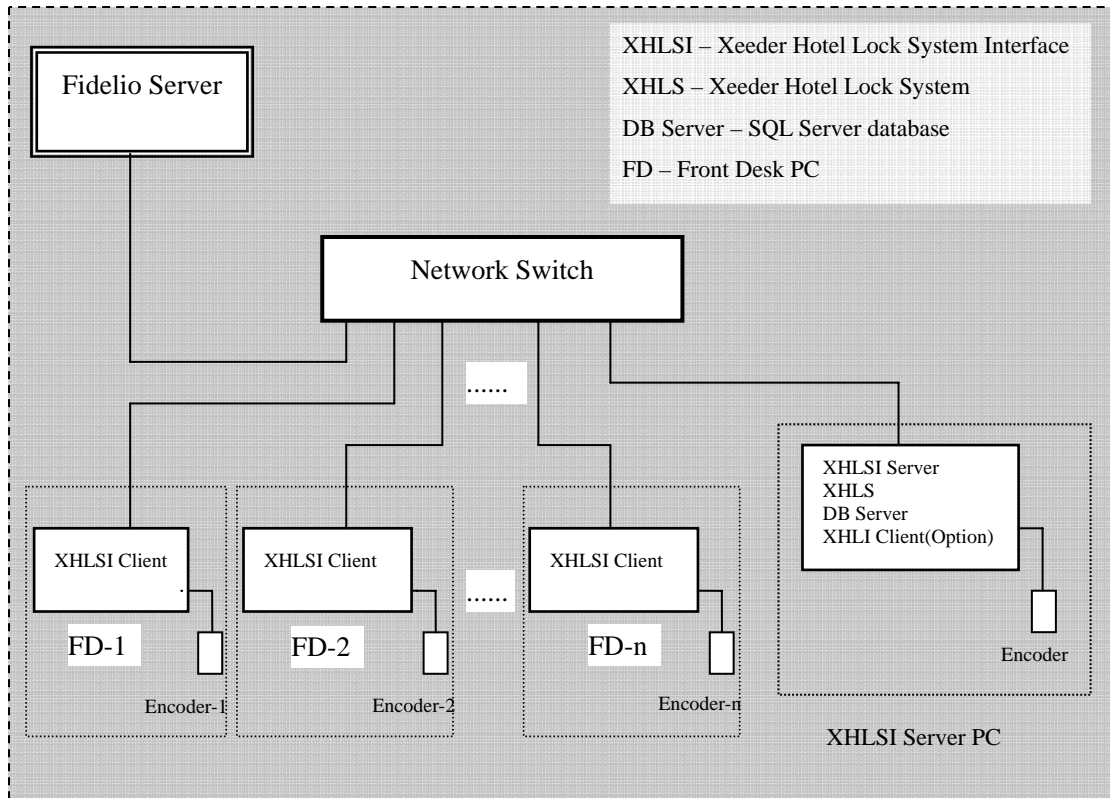
## 3. Installation Instructions

### 3.1 Install Maps

Here gives the install maps as a reference, see pic-1.

FD-1, FD-2, ... , FD-n stands for hotel front desk pc, each FD should install the XHLSI Client program, certainly, each FD should link a encoder for issuing card. XHLSI Server install at XHLSI Server PC, the XHLS and DB Server also install at this PC.

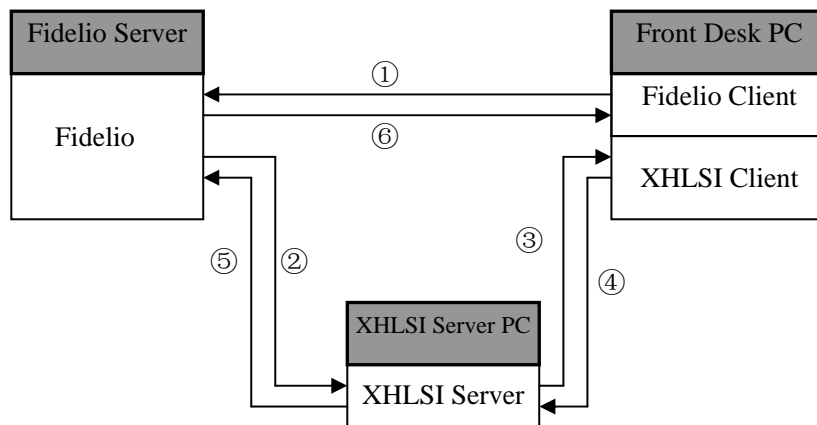
XHLSI Server, XHLSI Client and Fidelio PMS connect by the network switch.



pic-1 install maps

### 3.2 Communication

The communication between Fidelio PMS and XHLSI see pic-2.



pic-2 Communication

Fidelio client communicates with Fidelio server. The XHLSI server receives the commands from Fidelio server and assigns them to specified XHLSI client to process. The processing results will feedback to the XHLSI server after the XHLSI client process the commands. Then the XHLSI server transfer the results to Fidelio server,

and Fidelio server feedback them to Fidelio client.

### 3.3 Installation

There are two Installation files, names **XHLSI-FIAS Client V1.02.EXE** and **XHLSI-FIAS Server V1.02.EXE**, see pic-3.



Pic-3 installation files

#### **Step one:**

Install Hotel Lock System normally and register it, then building all room ID in Hotel Lock System same as in Fidelio system.

#### **Step two:**

Install **XHLSI-FIAS Server V1.02.EXE** at XHLSI server PC, it will generate a shortcut named XHLSI-FIAS Server V1.02 on the desktop.

#### **Step three:**

Install **XHLSI-FIAS Client V1.02.EXE** at station, it will generate a shortcut named XHLSI-FIAS Client V1.02 on the desktop.


### 3.4 Configuration

#### 3.4.1 XHLSI configuration

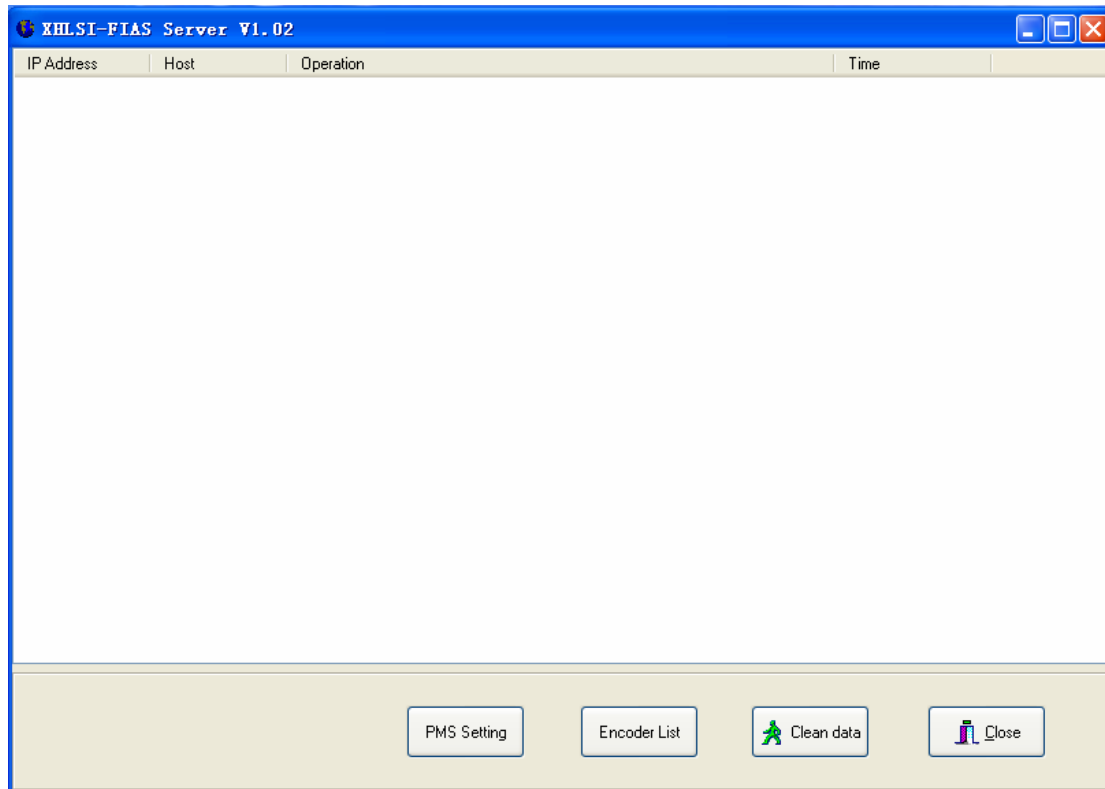
After XHLSI Client program and XHLSI Server program installation, first time running, they are need to be configured.

##### 1). XHLSI Server Configuration

###### **A. Server setting**

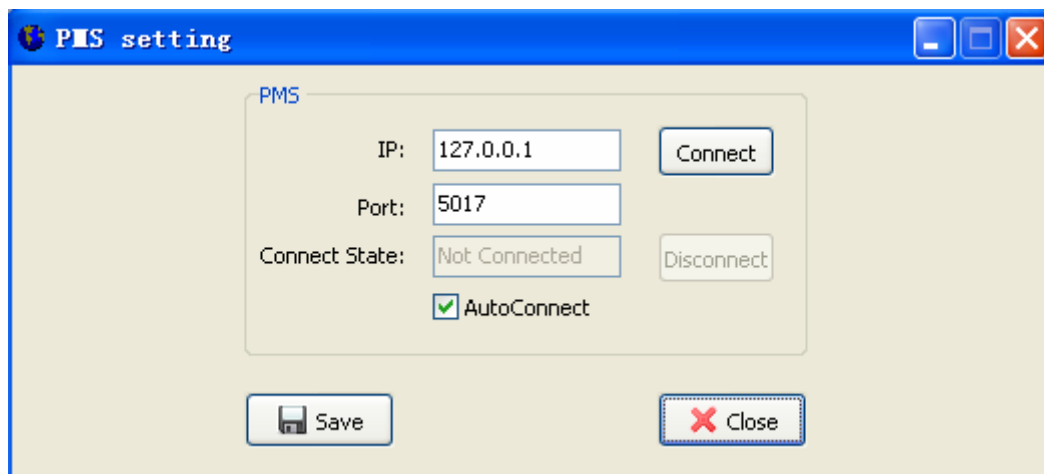
I. Double click the shortcut XHLSI-FIAS Server V1.02, the XHLSI server program icon will appear in the notification area. 

II. Double click the notification area icon to open the XHLSI server form. See pic-4.



Pic-4 XHL SI server form

III. Click “PMS Setting” button to open PMS setting form. See pic-5.



Pic-5 PMS setting form

Input the IP Address of Fidelio server PC in the textbox, click “Save” button to save setting, and restart program.

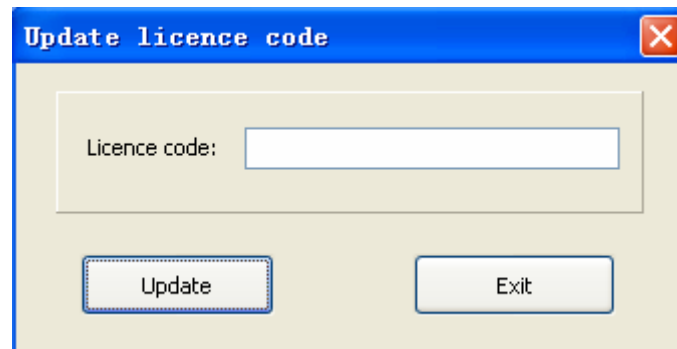
## 2). XHL SI Client Configuration

### A. Register software

I. Click XHL SI-FIAS Client V1.02 shortcut on desktop to run XHL SI client program.

First time run, show the registration form, see pic-6.

**Note:** User need register the XHLSI client at one station when first time use. If register successful, other stations can use directly, no need registration once again.



Pic-6 Registration form

II. Input licence to the textbox, click Update. See pic-7.



Pic-7 Registration successful

**Note:** The licence code is offer by Xeeder company, user need apply in advance.

III. Then, XHLSI client program icon will appear in the notification area.



Double click the icon, show the XHLSI client form, see pic-8.

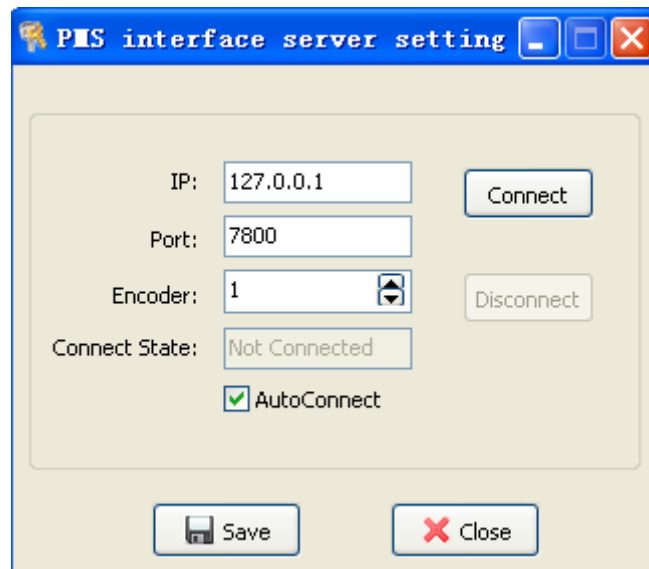




Pic-8 XHLSI client form

## B. Server setting

Open the XHLSI client form (pic-8), click “Server setting” button, see pic-9.



Pic-9 server setting form

Set IP: fill XHLSI server IP Address in the textbox.

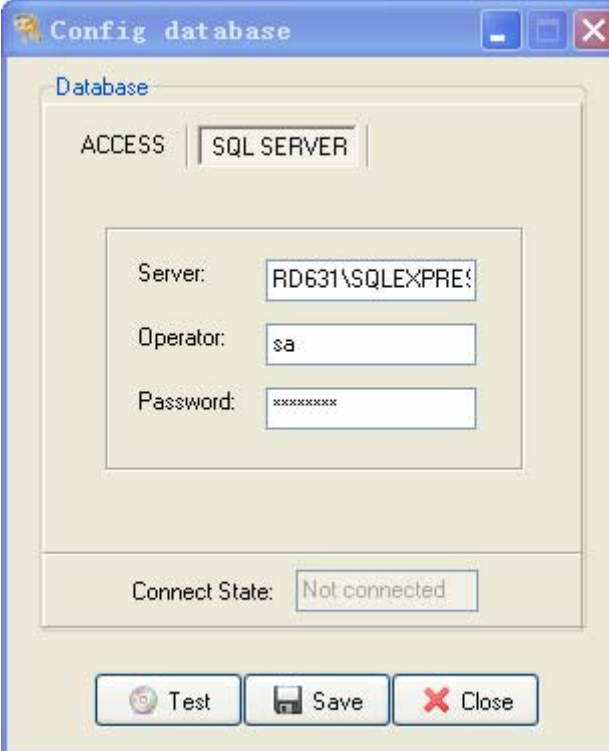
Set Encoder: the Encoder number, it must be different from other XHLSI client.

Click “Save” button to save setting, then restart the XHLSI Client.

### C. Database configuration

I. Open XHLSI client form (see pic-8), click “Import Database” button, choose “SQL SERVER” Tab, fill Server, Operator, Password. Server is MS SQL Server Database server name, Operator is login account, Password is Login password. About SQL Server login information please see **Appendix**.

For example, Server name: RD631\SQLEXPRESS; Login account: sa; Login password: 12345678. See pic-10.



The image shows a window titled "Config database" with a yellow background and a blue title bar. Inside the window, there is a "Database" section with a dropdown menu labeled "ACCESS" set to "SQL SERVER". Below this, there are three input fields: "Server:" with the text "RD631\SQLEXPRESS", "Operator:" with the text "sa", and "Password:" with the text "xxxxxxxx". At the bottom of the window, there is a "Connect State:" field showing "Not connected". Below the main configuration area, there are three buttons: "Test" (with a circular arrow icon), "Save" (with a floppy disk icon), and "Close" (with a red 'X' icon).

Pic-10 database configuration form

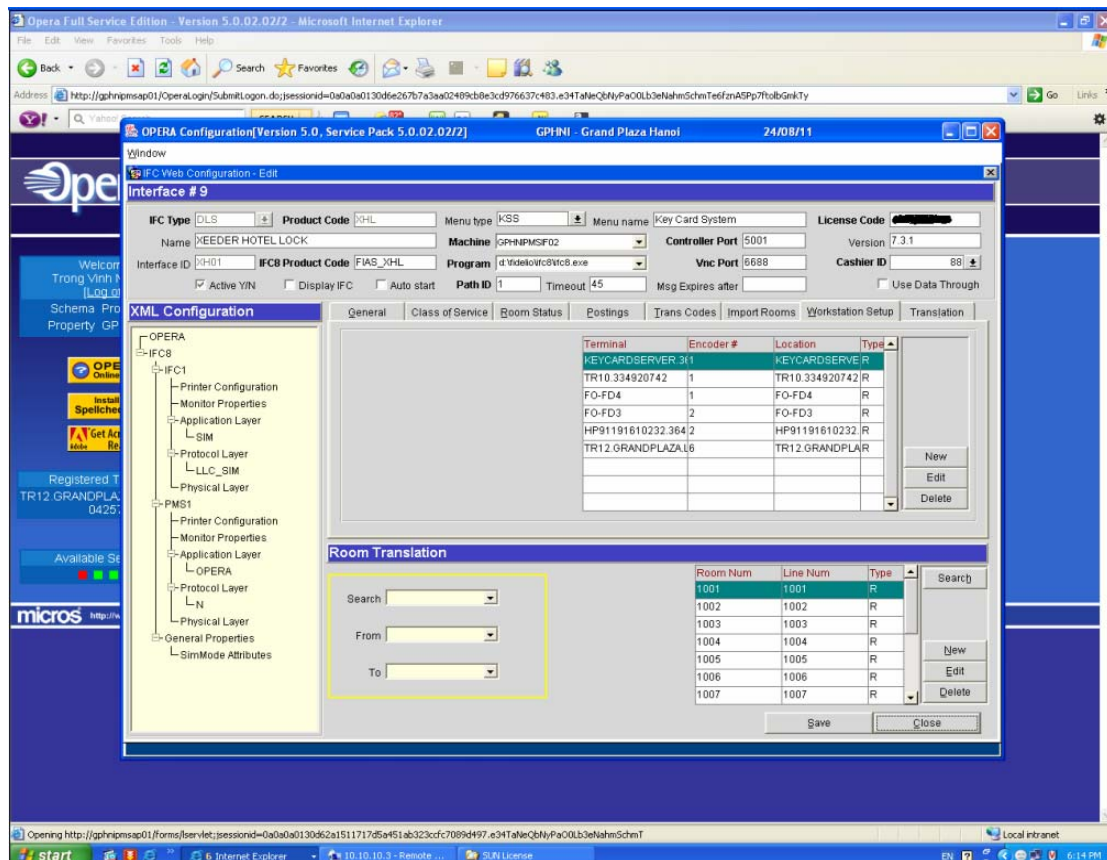
II. Click “Save” button to check whether database connection is ok or not.

III. Click “Test” button to save database configuration, and restart the interface client program.

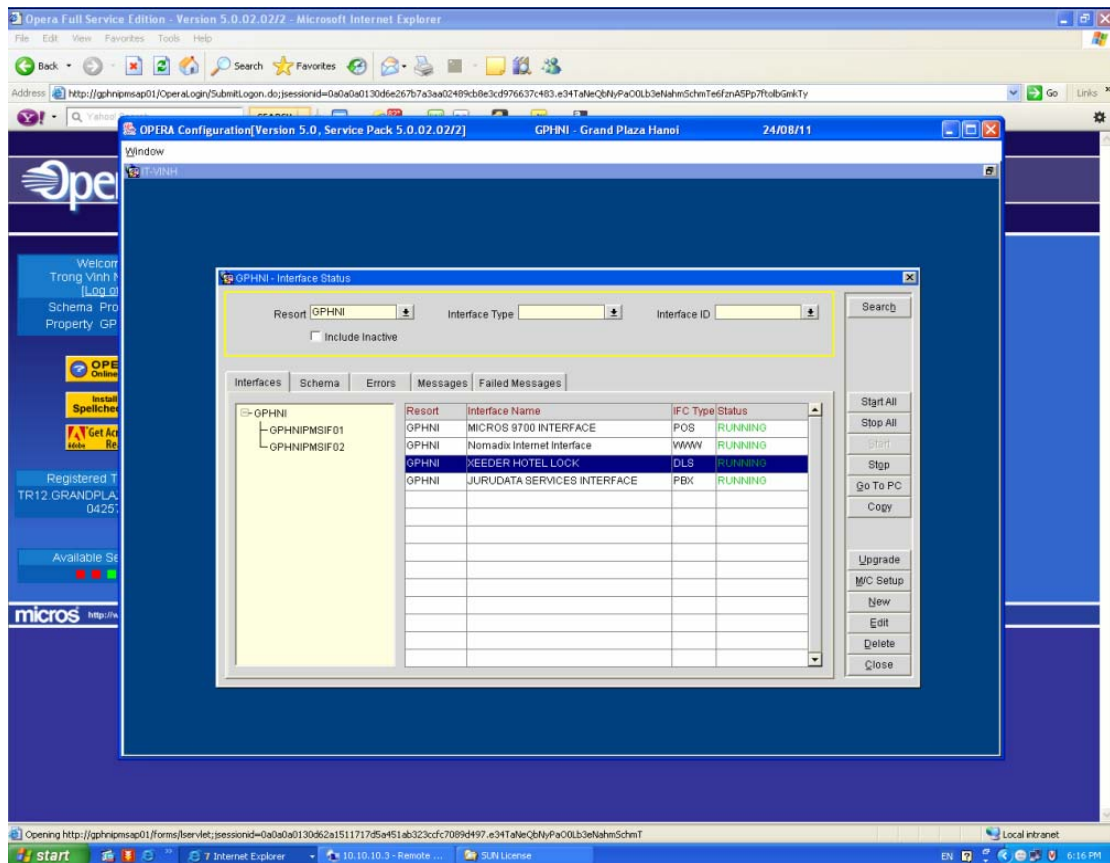
### 3.4.2 Fidelio PMS configuration

Fidelio interface parameters	
<b>Interface type</b>	<b>DLS</b>
<b>Part No.</b>	<b>IO-5003-114</b>
<b>Product name</b>	<b>Xeeder Hotel Lock</b>
<b>Product code</b>	<b>XHL</b>
<b>IFC8 product code</b>	<b>FIAS_XHL</b>

See pic-11, it's the Fidelio PMS configuration screen, setting the relevant parameters, and save. Then view the screen in pic-12, if the status of XEEDER HOTEL LOCK line(blue color marked) is running, configured correctly.



Pic-11 Fidelio PMS Screen



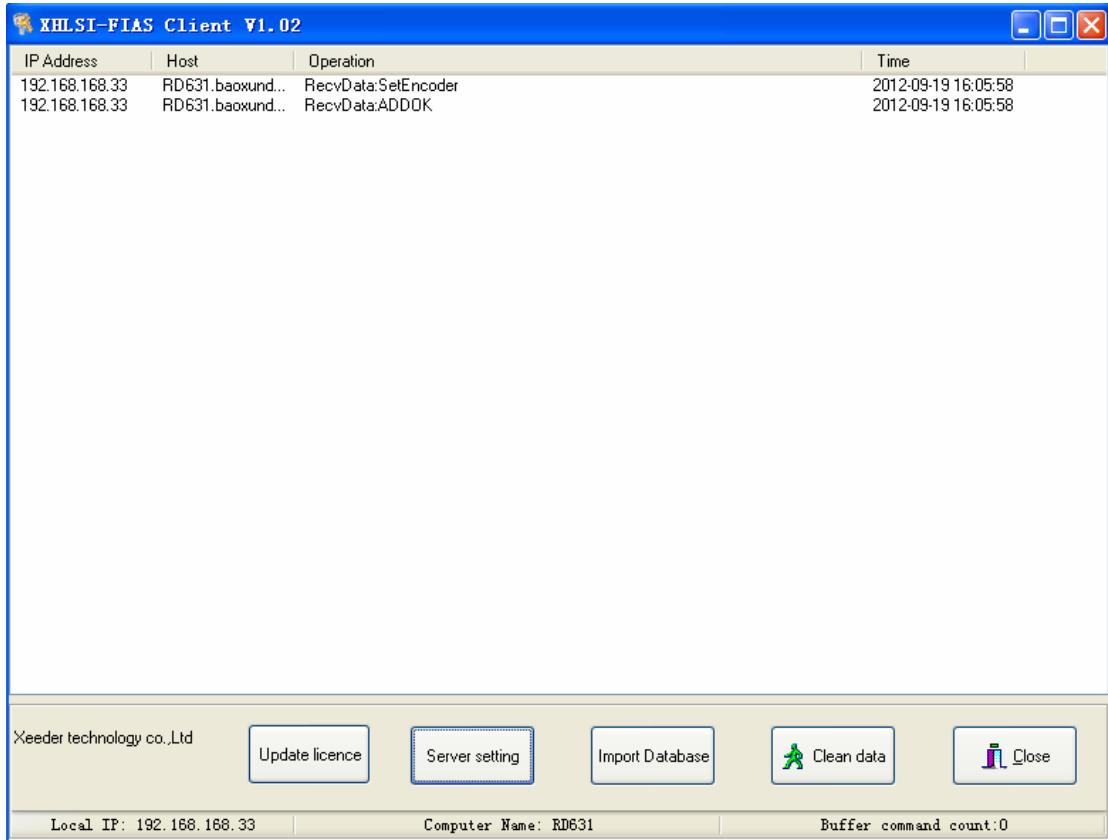
Pic-12 View XHLSI running state

## 4. Functional Instructions

### 4.1 Establishing connection between XHLSI Client and XHLSI Server

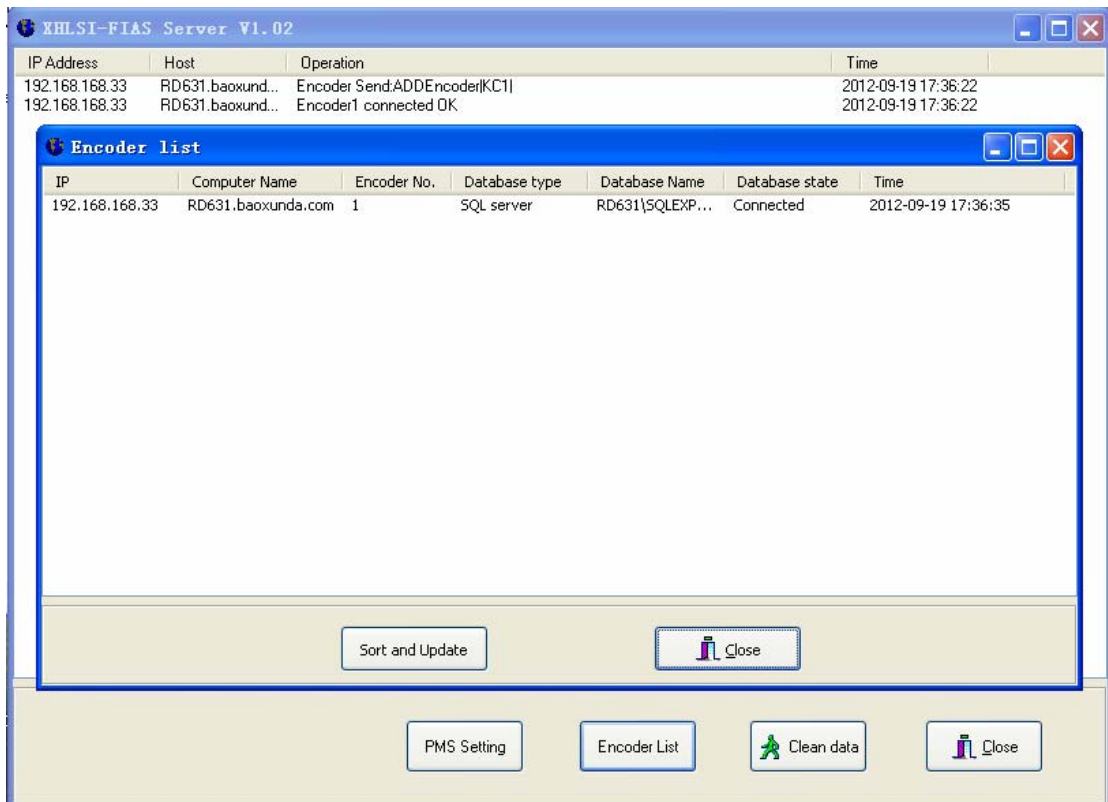
Running XHLSI Server program at XHLSI Server PC, running XHLSI Client program at front desk pc, no start-up order between XHLSI Server and XHLSI Client.

After successful connected with XHLSI Server, XHLSI Client Form will add the “ADDOK” record, see pic-13.



Pic-13 XHLSI Client connected to XHLSI Server

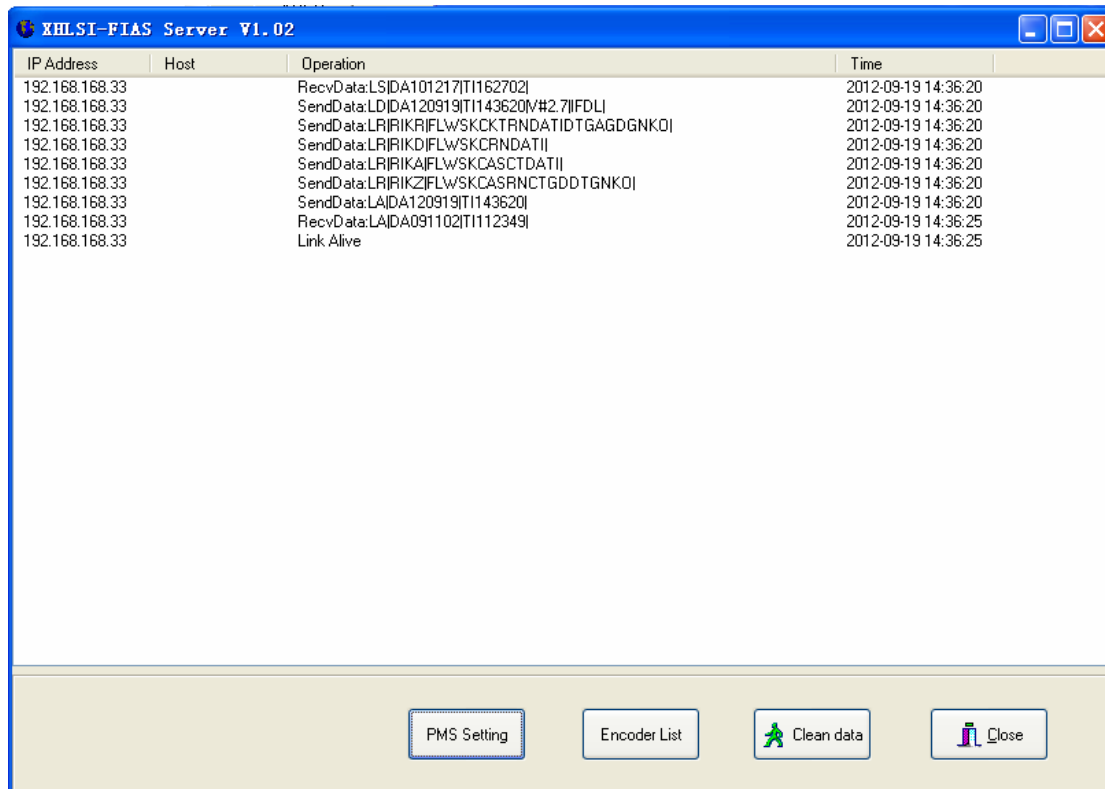
You can see the XHLSI Client list in XHLSI Server, see pic-14.



Pic-14 XHLSI Client List in XHLSI Server

## 4.2 Establishing connection between XHLSI Server and Fidelio PMS

XHLSI Server communicates with Fidelio server by TCP/IP protocol. When the connection is established, Fidelio PMS will send a Link Start record, XHLSI Server receives Link Start record, then responds with LD & LRs, then Fidelio PMS send Link Alive record, the connection is active.(See pic-15)



The screenshot shows the XHLSI-FIAS Server V1.02 interface. It features a table with four columns: IP Address, Host, Operation, and Time. The table contains several rows of data representing network communications. At the bottom of the window, there are four buttons: PMS Setting, Encoder List, Clean data, and Close.

IP Address	Host	Operation	Time
192.168.168.33		RecvData:LSIDA101217IT1162702I	2012-09-19 14:36:20
192.168.168.33		SendData:LDIDA120919IT1143620N#2.7IFDLI	2012-09-19 14:36:20
192.168.168.33		SendData:LRIRIKRIFLW/SKCKTRNDATIDTGAGDGNKOI	2012-09-19 14:36:20
192.168.168.33		SendData:LRIRIKDIFLW/SKCRNDATI	2012-09-19 14:36:20
192.168.168.33		SendData:LRIRIKJIFLW/SKCASCTDATI	2012-09-19 14:36:20
192.168.168.33		SendData:LRIRIKZIFLW/SKCASRNCTGDDTGNKOI	2012-09-19 14:36:20
192.168.168.33		SendData:LAIDA120919IT1143620I	2012-09-19 14:36:20
192.168.168.33		RecvData:LAIDA091102IT1112349I	2012-09-19 14:36:25
192.168.168.33		Link Alive	2012-09-19 14:36:25

Pic-15 Link Active between XHLSI Server and Fidelio PMS

## 4.3 Guest Check-in, Check-out, Read/Modify Guest Card

Choosing which encoder to issue card, put card in the corresponding encoder, then operate in Fidelio PMS, when twice tick sound, issuing card successful.

The other operating such as check-out, read guest card or modify guest card similar.

## 5. Appendix

### 5.1 SQL Server login information

Start “SQL Server Management Studio Express”, enter the login screen(see pic-16), there are Server name, Login, Password. These information are useful when you config SQL Server database in XHLSI Client.



The image shows a screenshot of the "Connect to Server" dialog box in Microsoft SQL Server 2005. The dialog box has a blue title bar with the text "Connect to Server" and a close button. Below the title bar, there is a header area with the Microsoft SQL Server 2005 logo and the Microsoft Windows Server System logo. The main area of the dialog box contains several fields and a checkbox:

- Server type:** A dropdown menu set to "Database Engine".
- Server name:** A dropdown menu set to "RD631\SQLEXPRESS".
- Authentication:** A dropdown menu set to "SQL Server Authentication".
- Login:** A dropdown menu set to "sa".
- Password:** An empty text input field.
- Remember password:** An unchecked checkbox.

At the bottom of the dialog box, there are four buttons: "Connect", "Cancel", "Help", and "Options >>".

Pic-16 SQL Server Database Login Form